



Revit to IES VE: Room Separation Lines

FAQ Document for Users



Revit to IES VE: Room Separation Lines

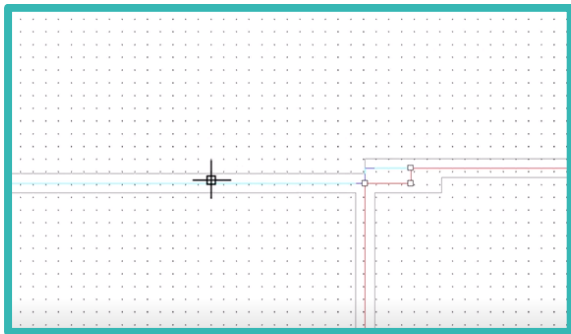
Sometimes it is hard to see room separation lines in Revit, due to the overlap of walls, and the room-bounding from the walls does not then align with the room separation line.

Where a room-bounding element is already present, it is not necessary to add a room-separation line.

If room separation lines are such that there are gaps showing between the room separation and room bounding elements, this may cause a disruption/distortion of the geometry.

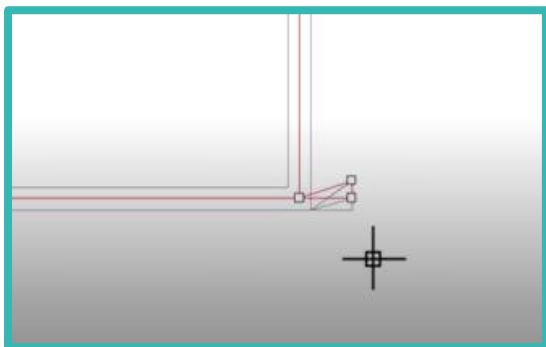


In the VE, we can see that the import now has a gap between rooms, with external walls, and the wall alignment has changed so that the internal walls are no longer aligned.



The geometry in the VE is now fragmented.

In addition, the wall at the bottom of the space is now distorted in the VE due to the gaps.



This will cause issues in the VE model geometry that are likely to cause errors when running the simulation