




# Edit Openings

IES Technical Support

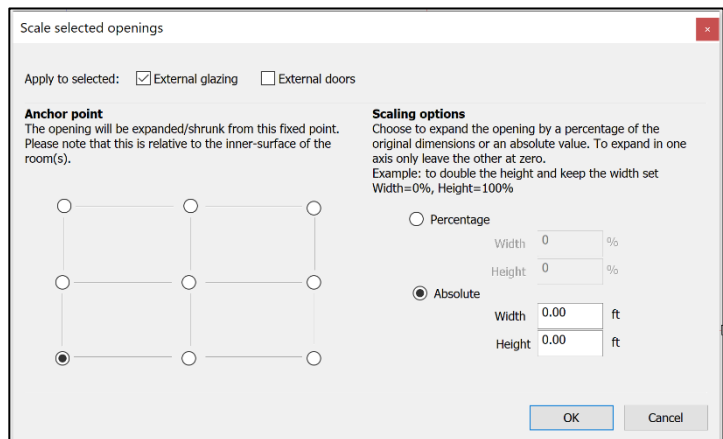
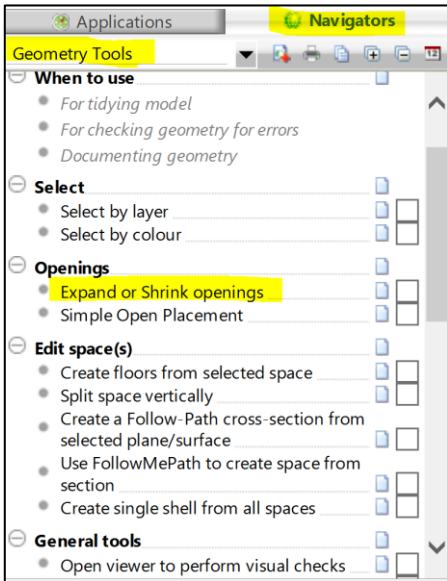
FAQ Document for Users



There are many ways to edit openings (windows/doors/holes) in VE. Select the room(s) (by highlighting them), or the opening(s) you want to edit (by going down  to surface level (*Openings*)) then select one from the below options:

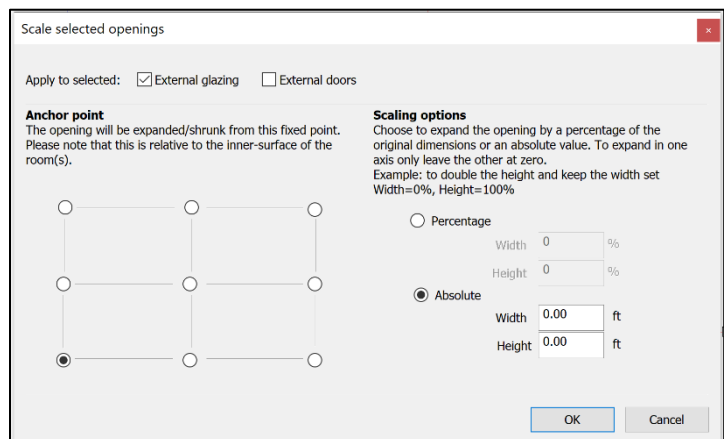
### Scale selected openings

Go to Navigators >> Geometry Tools >> Openings >> Expand or Shrink Openings. Select the opening type, anchor point and scaling options (negative values (-) for shrinking) and then click *OK*.



### Shrink Command

You can type **SHRINK** in the key-in field and press *Enter*. Then select the opening type, anchor point and scaling options (negative values (-) for shrinking) and then click *OK*.

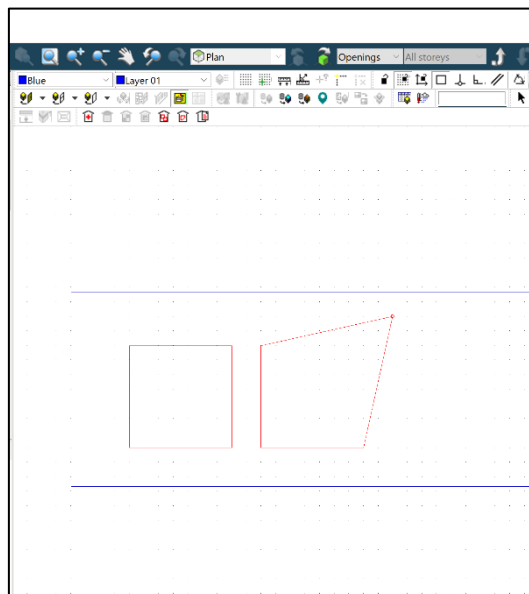
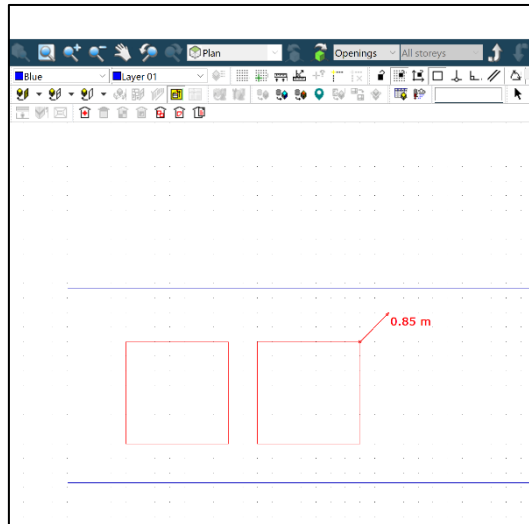




Drag the Selected Openings Vertice(s) to change the opening(s) shape(s) button



You can use **Drag the Selected Openings Vertice(s) to change the opening(s) shape(s)** button. Just left-click on opening vertex to select it and then right-click on it to drag it to a new location. An arrow will show the vertex shift.



### Clip openings Command

You can use this command to clip an opening when it extends beyond its adjacency. You can type: **CLIPOPENINGS** in the key-in field and then click *Enter*.



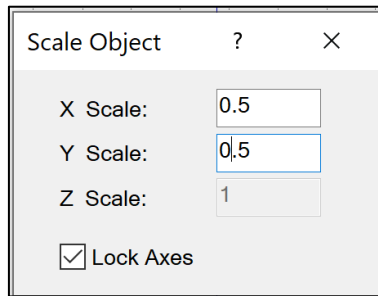


Move selection set 

Left-click on the opening then drag it to where you want it to be moved.

Scale selection set 

Enter X and Y scale values. Left-click on the opening and it will be scaled according to the values you entered.



Scale Object ? X

|          |                                  |
|----------|----------------------------------|
| X Scale: | <input type="text" value="0.5"/> |
| Y Scale: | <input type="text" value="0,5"/> |
| Z Scale: | <input type="text" value="1"/>   |

Lock Axes



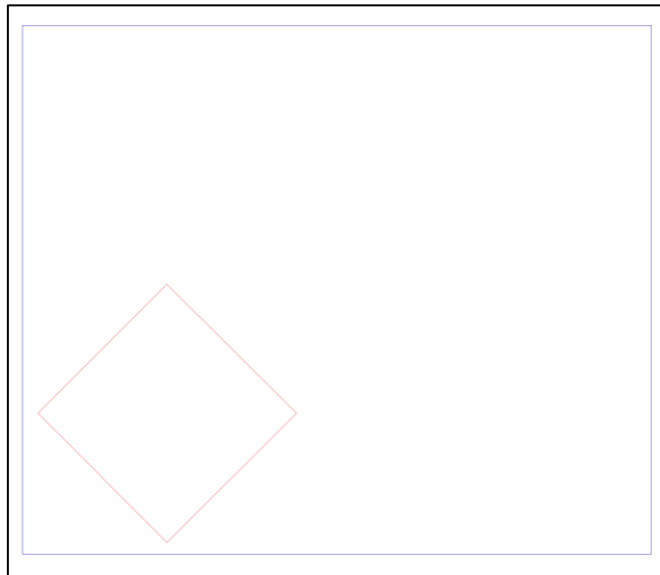
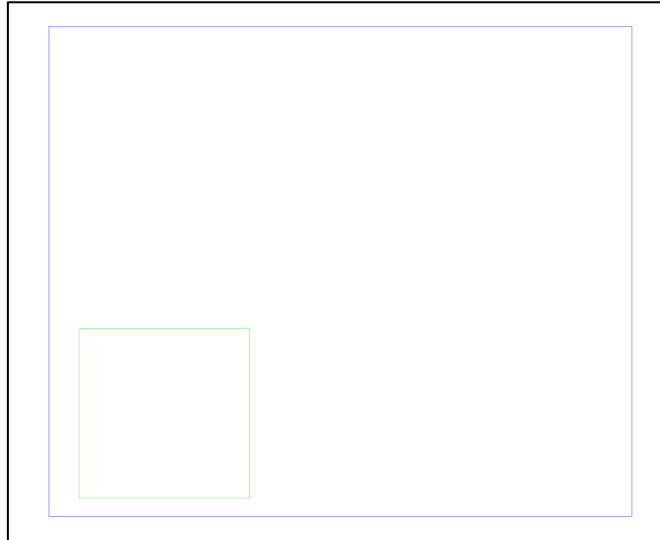


Rotate selection set 

Specify rotation angle and then left-click on the opening and move it around until you get the rotation you want.

Rotate Object ? X

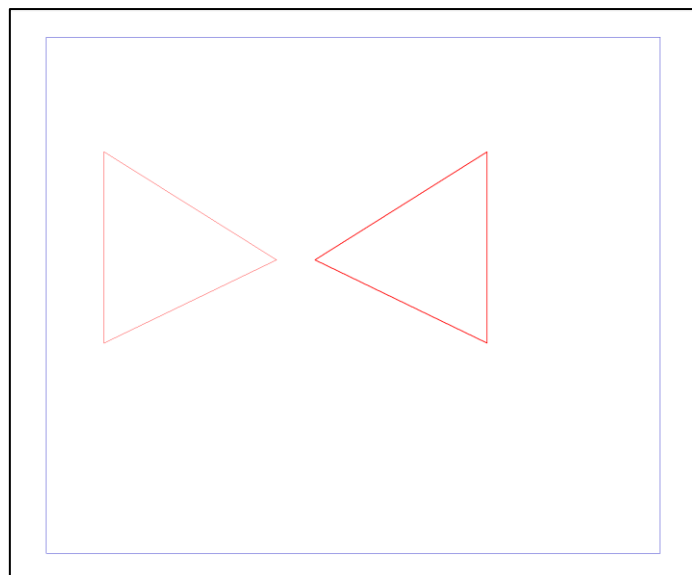
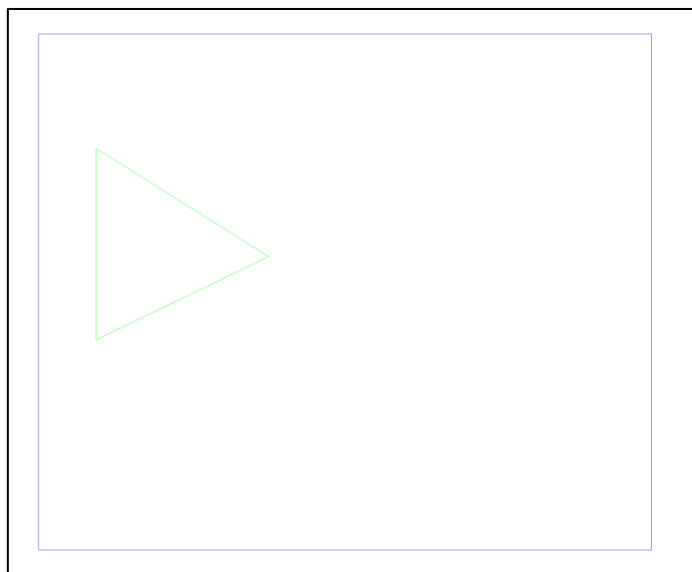
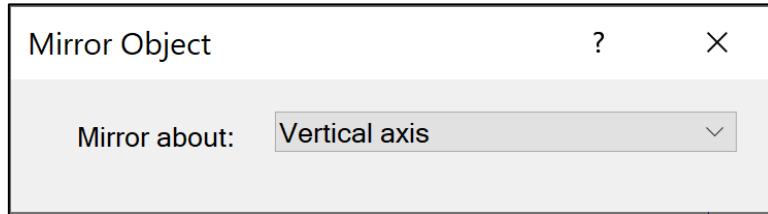
Angular increment (°):





## Mirror selection

Select vertical or horizontal axis in the mirror about field then left-click on the opening and drag to where you want to place the new copy.





Split the selected window 

Select how you want to split the window, across vertical, horizontal or both axes. Then specify x, y or both offset and press OK. In the images below, the third option was selected (split across both axes) together with x and y offset of 1 ft.

